

BELLOWS SEALED STOP VALVES VF40

DESCRIPTION

The ADCA VF40 is a series of maintenance free inline stop valves designed with double wall bellow sealing, secondary safety packing and non-rising handwheel. They are specially recommended for steam, gas, liquid, condensate, thermal oil and water applications.

MAIN FEATURES

Maintenance free design.
High durability sealing via double wall bellows.
Secondary safety packing.
Non-rising handwheel.
External stem thread.

OPTIONS: Parabolic plug for throttling applications.

USE: Group 2 fluids compatible with the construction.

AVAILABLE MODELS:

VF40S – carbon steel.
VF40i – stainless steel.

SIZES: DN 15 to DN 200.

CONNECTIONS: Flanged EN 1092-1 PN 40.
Others on request.

INSTALLATION: See IMI – Installation and maintenance instructions.



CE MARKING – GROUP 2 (PED – EUROPEAN DIRECTIVE)

PN 40	CATEGORY
DN 15 to 32	SEP
DN 40 to 100	1 (CE marked)
DN 125 to 200	2 (CE marked)

BODY LIMITING CONDITIONS

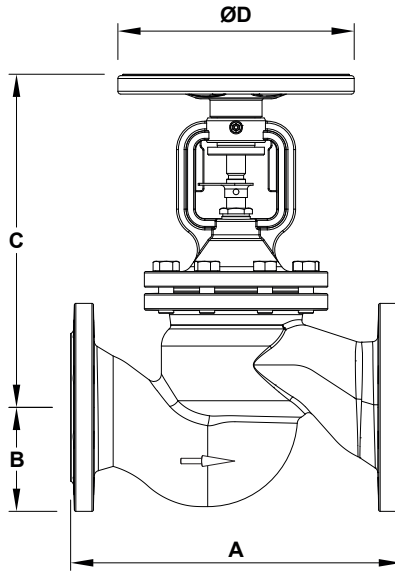
VF40S ALLOWABLE PRESSURE	VF40i ALLOWABLE PRESSURE	RELATED TEMPERATURE
40 bar	40 bar	- 10 / 50 °C
37,4 bar	40 bar	100 °C
33,6 bar	33,7 bar	200 °C
27,8 bar	29,7 bar	300 °C

Remark: Lower temperature limits on request.

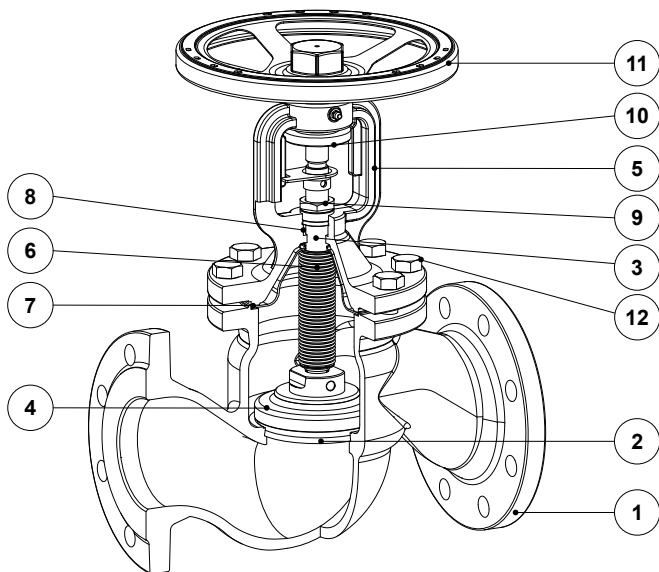
FLOW RATE COEFFICIENTS (m³/h)

SIZE	DN 15	DN 20	DN 25	DN 32	DN 40	DN 50	DN 65	DN 80	DN 100	DN 125	DN 150	DN 200
Kvs	4,3	7	11	17,5	27	47	68	116	162	250	364	570

For conversion Kvs = Cv (US) x 0,855.



DIMENSIONS (mm)					
SIZE	A	B	C	ØD	WEIGHT (kg)
DN 15	130	47,5	189	120	4,3
DN 20	150	52,5	189	120	5,1
DN 25	160	57,5	189	120	5,8
DN 32	180	70	220	160	9,5
DN 40	200	75	220	160	9,8
DN 50	230	82,5	295	195	17,5
DN 65	290	92,5	295	195	20,5
DN 80	310	100	368	280	34
DN 100	350	117,5	368	280	44
DN 125	400	135	523	350	77
DN 150	480	150	523	350	110
DN 200	600	187,5	505	350	240



MATERIALS		
POS. No.	DESIGNATION	MATERIAL
1	Body (VF40S)	GP240GH / 1.0619
	Body (VF40i)	GX5CrNiMo 19-11-2 / 1.4408; GX5CrNiMoNb 19-11-2 / 1.4581
2	Seat	Stainless steel
3	* Spindle	Stainless steel
4	* Disc	Stainless steel
5	Bonnet (VF40S)	GP240GH / 1.0619
	Bonnet (VF40i)	GX5CrNiMo 19-11-2 / 1.4408; GX5CrNiMoNb 19-11-2 / 1.4581
6	* Bellows	Stainless steel
7	* Gasket	Stainless steel / Graphite
8	* Packing	Graphite
9	Gland nut	Zinc plated steel
10	Anti-friction disc	Zinc plated steel
11	Handwheel	Cast iron
12	Bolt	Stainless steel A2-70

* Available spare parts.